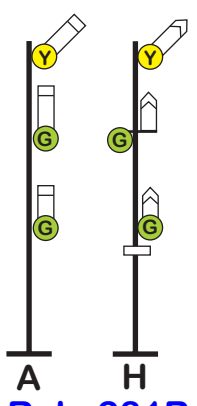
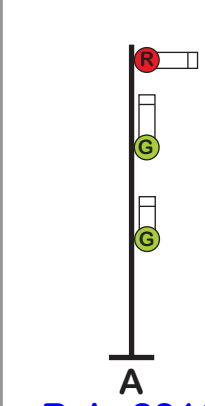


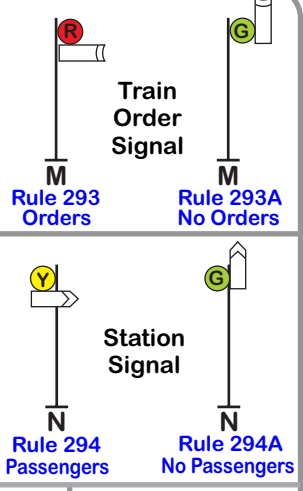
Rule 281
Clear



Rule 281B
Apr Limited



Rule 281C
Limited Clear



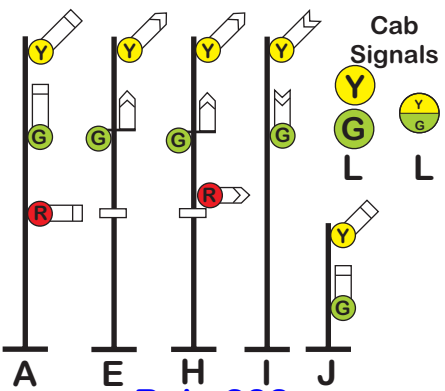
Rule 293
Orders

Rule 293A
No Orders

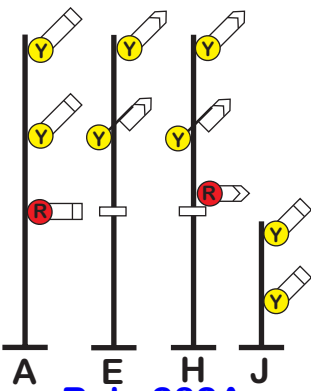
Station
Signal

Rule 294
Passengers

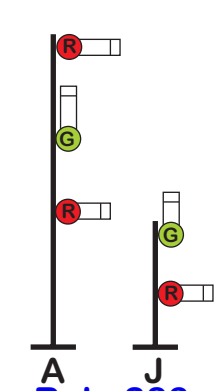
Rule 294A
No Passengers



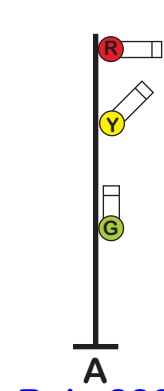
Rule 282
Approach Medium



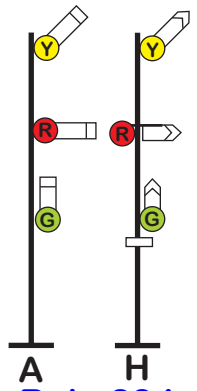
Rule 282A
Adv Approach



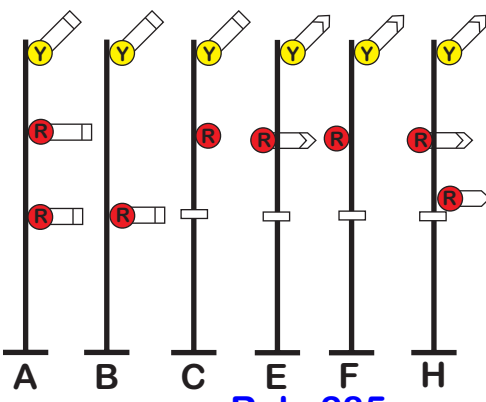
Rule 283
Med Clear



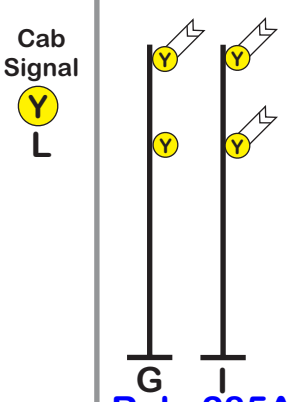
Rule 283B
Med-Apr Slow



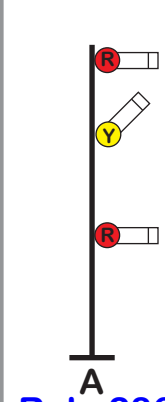
Rule 284
Apr Slow



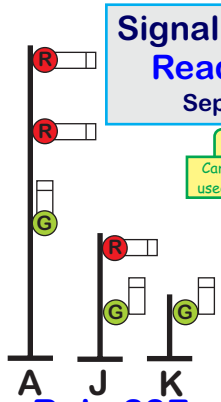
Rule 285
Approach



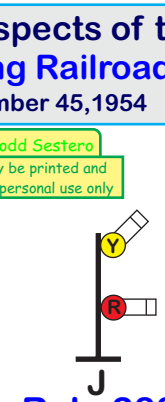
Rule 285A
Caution



Rule 286
Med Apr



Rule 287
Slow Clear

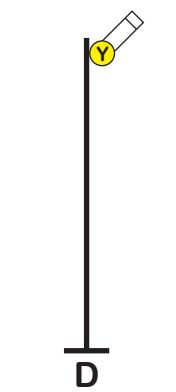


Rule 288
Slow Apr

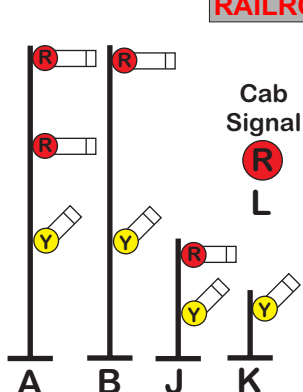
Signal Aspects of the Reading Railroad
September 45, 1954

© Todd Sestero
Card may be printed and used for personal use only

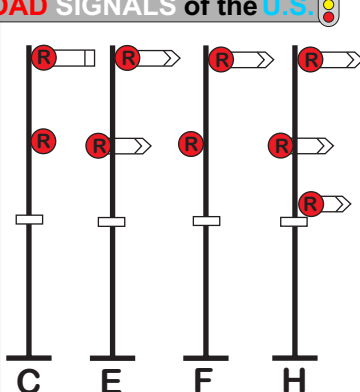
RAILROAD SIGNALS of the U.S.



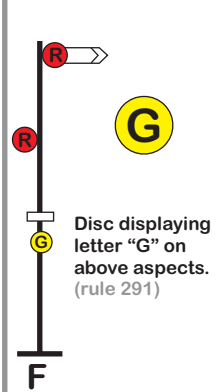
Rule 289
Permissive



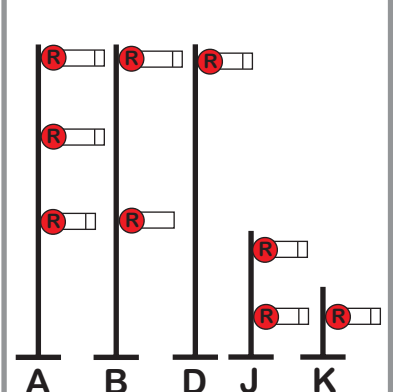
Rule 290
Restricting



Rule 291
Stop and Proceed



Rule 291A
Grade Signal



Rule 292
Stop